

Appendix C

Miscellaneous Features

This chapter includes details on some netWorks features that facilitate the network model building process or telecom path selection process.

Assembling Equipment

You can assemble models into larger aggregate models by selecting **Assemble Equipment** from the drawing panel pop-up menu. (See Figure ??.) When you choose this menu item, you invoke a routine that lets you use the mouse cursor along with a rubberband rectangle to sweep out an area in the drawing panel. Any models that are entirely within this sweep area are encapsulated into a compound equipment model that you can now treat as a single model or system.

Figure C.1 shows a compound equipment model created using the sweep technique along with its associated pop-up menu.

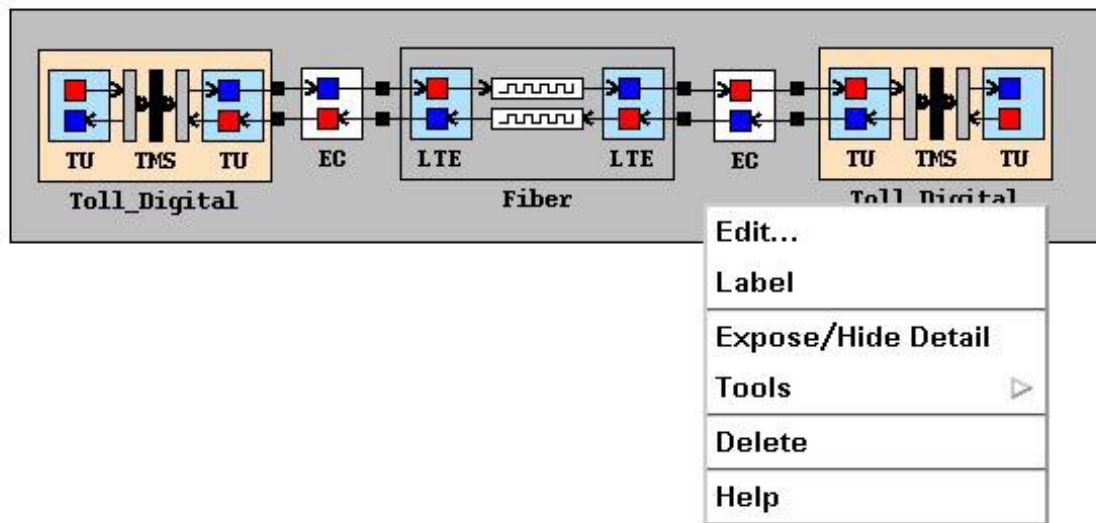


Figure C.1. Compound Equipment Model

Among other features, the pop-up menu includes options to disassemble the compound equipment model and also to assemble new compound equipment models within this compound model. The **Expose/Hide Detail** menu item lets you toggle between the full view of the compound model (as shown in Figure C.1) and a smaller icon representation. You can change the icon associated with a model by selecting **Tools/Modify...** on the model's pop-up menu.

You can invoke the edit routine on a compound equipment or system model by selecting **Edit** from the pop-up menu. This routine creates a separate window for modifying the contents of the compound equipment model. All the functionality of the drawing panel is available in the edit window. Having a separate edit window is particularly useful when you have a large system or compound equipment model that has been reduced to icon format and you want to view your network model while editing the compound equipment model.

Templates

The netWorks application provides a *template* feature to facilitate the replication of models. A template is a clone or copy of an existing model that has been placed in the equipment palette. You can drag-and-drop any model in the drawing panel onto the equipment palette and then use that palette item just as you would any other item on the palette. If the template is a compound equipment model, you might want to change the icon associated with the model since all compound equipment models

default to the same icon——and templates are displayed in the palette using their associated icon.

You can save or restore templates to or from SAS data sets using the **Save** and **Load** options on the palette pull-down menu. Templates provide an alternative to equipment browsers for extending your equipment model database.

Antidromes

The notion of an *antidrome* is used in the path building process of the Telecom subsystem of netWorks. As mentioned in the “??” section of Chapter ??, “??,” the modeling process makes it possible for you to construct a network model or compound element with links that could not exist in real telecom equipment or networks. For example, consider the Line Unit model depicted in Figure C.2.

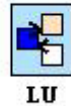


Figure C.2. Line Unit Model

This system model contains three simple models—D/A model (white), InterfaceElement model (dark blue), A/D model (beige)—with unidirectional arcs connecting them. If a call comes in through the D/A model and then passes to the InterfaceElement model, you probably do not want it to go out through the A/D model. Most scenarios would have the call pass from the InterfaceElement model to some other model external to the LineUnit model. Antidromes address this problem.

The correct bibliographic citation for this manual is as follows: SAS Institute Inc., *SAS/OR Software: The netWorks Application, Version 8*, Cary, NC: SAS Institute Inc., 1999. 89 pp.

SAS/OR Software: The netWorks Application, Version 8

Copyright © 1999 by SAS Institute Inc., Cary, NC, USA.

ISBN 1-58025-487-X

All rights reserved. Printed in the United States of America. No part of this publication may be reproduced, stored in a retrieval system, or transmitted, in any form or by any means, electronic, mechanical, photocopying, or otherwise, without the prior written permission of the publisher, SAS Institute Inc.

U.S. Government Restricted Rights Notice

Use, duplication, or disclosure of this software and related documentation by the U.S. government is subject to the Agreement with SAS Institute and the restrictions set forth in FAR 52.227-19, Commercial Computer Software - Restricted Rights (June 1987).

SAS Institute Inc., SAS Campus Drive, Cary, North Carolina 27513.

1st printing, October 1999

SAS® and all other SAS Institute Inc. product or service names are registered trademarks or trademarks of SAS Institute Inc. in the USA and other countries. ® indicates USA registration.

Other brand and product names are trademarks of their respective companies.

The Institute is a private company devoted to the support and further development of its software and related services.